

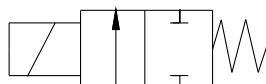
**ELETTROVALVOLA 2/2 NORMALMENTE CHIUSA**  
*2/2 NORMALLY CLOSED SOLENOID VALVE*



- **Elettrovalvola azione diretta**  
*Direct action solenoid valve*
- **Connessione 1/8-1/4" G.**  
*Connection 1/8-1/4" G.*
- **Temperatura fino a 180°**  
*Temperature up to 180°C*
- **Fluidi e gas -Aria acqua vapore-**  
*For fluid and gases -Air water steam-*

**Non è richiesta una pressione minima di funzionamento.**  
*It's not necessary a minimum working pressure.*

**Tenuta metallica tra corpo e canotto, saldatura a 360° del tubo guida, garantiscono affidabilità e durata nel tempo.**  
*Metallic seal between body and guide tube, 360° welding of the tube guid, guarantee endurance and reliability.*



2/2 Normalmente chiusa  
*2/2 Normally closed*

**COMPONENTI**  
*COMPONENT PARTS*

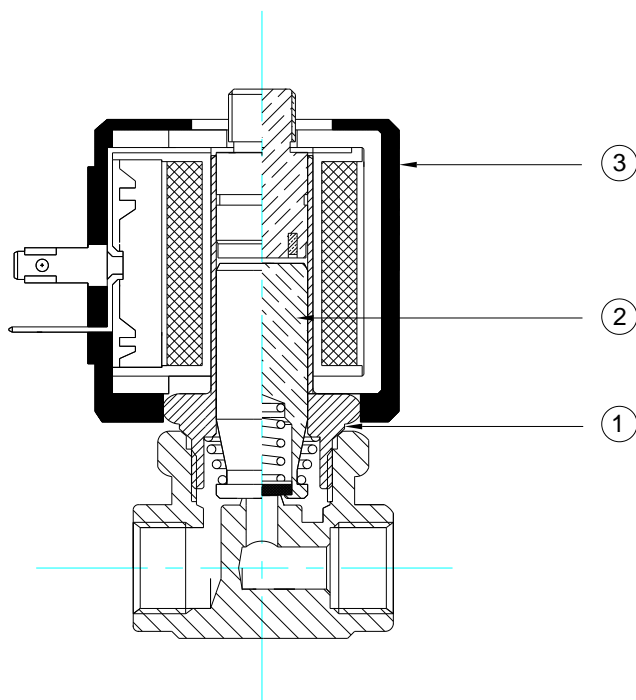
<b>Corpo:</b> <i>Body:</i>	Ottone stampato <i>Moulded brass</i>
<b>Sede:</b> <i>Orifice:</i>	Acciaio Inox <i>Stainless steel</i>
<b>Tubo guida:</b> <i>Guide tube:</i>	Acciaio Inox <i>Stainless steel</i>
<b>Nucleo Mobile:</b> <i>Plunger:</i>	Acciaio Inox IMRE <i>Stainless steel IMRE</i>
<b>Molle:</b> <i>Spring:</i>	Acciaio Inox <i>Stainless steel</i>
<b>Protezione:</b> <i>Insulation:</i>	IP 65 con connettore <i>IP 65 with connector</i>
<b>Connessione:</b> <i>Connection:</i>	DIN 43650/A <i>DIN 43650/A</i>
<b>Bobina:</b> <i>Coil:</i>	SM5-SM2/04 <i>SM5-SM2/04</i>
<b>Materiale bobina:</b> <i>Coil material:</i>	NYLON-RYTON-IXEF <i>NYLON-RYTON-IXEF</i>
<b>Protezione bobina classe:</b> <i>Coil insulation class:</i>	H <i>H</i>
<b>Tenute:</b> <i>Seal:</i>	EPDM-FKM-PTFE-RUBINO
<b>Temperatura:</b> <i>Temperature:</i>	EPDM -20°C +140°C FKM -10°C +155°C PTFE -30°C +180°C RUBINO -40°C+180°C

**CARATTERISTICHE:**  
*DETAIL:*

CODE	DN G.	Ø Int mm	kV M3/h	M.O.P.D. .bar			T.a.	Power		Inrush		Seal				Weight gr
				min	max			VA	W	VA	W	EPDM	FKM	PTFE	RUBINO	
					AC	DC										
5020*	1/8"	2,0	0.13	00	25	18	80°	22	17	30	23	•				340
5025*	1/8"	2,0	0.13	00	25	18	80°	22	17	30	23		•			340
5030*	1/8"	2,0	0.13	00	25	18	80°	22	17	30	23				•	340
5061*	1/8"	2,8	0.26	00	20	14	80°	22	17	30	23	•				340
5063*	1/8"	2,8	0.26	00	20	14	80°	22	17	30	23		•			340
5094*	1/8"	2,8	0.26	00	20	14	80°	22	17	30	23			•		340
5074*	1/8"	3,5	0.30	00	15	8	70°	32	17	40	23		•			340
5075*	1/8"	4,5	0.50	00	10	6	70°	32	17	40	23		•			340
5054*	1/4"	2,0	0.13	00	25	18	80°	22	17	30	23	•				330
5056*	1/4"	2,0	0.13	00	25	18	80°	22	17	30	23		•			330
5052*	1/4"	2,0	0.13	00	25	18	80°	22	17	30	23				•	330
5062*	1/4"	2,8	0.26	00	20	14	80°	22	17	30	23	•				330
5060*	1/4"	2,8	0.26	00	20	14	80°	22	17	30	23		•			330
5095*	1/4"	2,8	0.26	00	20	14	80°	22	17	30	23			•		330
5072*	1/4"	3,5	0.30	00	15	8	70°	32	17	40	23	•				330
5070*	1/4"	3,5	0.30	00	15	8	70°	32	17	40	23		•			330
5111*	1/4"	4,5	0.50	00	10	6	70°	32	17	40	23	•				330
5110*	1/4"	4,5	0.50	00	10	6	70°	32	17	40	23		•			330
5140*	1/4"	5,5	0.56	00	8	4	70°	36	27	45	35		•			330

**Note:-** In DC per temperature ambienti superiori a 50°C. le prestazioni possono diminuire. E' sconsigliata l'installazione con la bobina rivolta verso il basso.

**Note:-** - Performances can decrease in DC with room temperature over 50°C. Installation with turned down coil is not suggested.



**RICAMBI**  
SPARE PARTS

<b>1-Tubo guida:</b> <i>Guide tube:</i>	Cod.00140 DC Cod.00140 DC Cod.00150 AC Cod.00150 AC
<b>2-Nucleo mobile:</b> <i>Plunger:</i>	Cod.00680/E EPDM Cod.00680 FKM Cod.04325 PTFE Cod.00695 RUBINO Cod.00740 FKM Ø5,5
<b>3-Bobina</b> <i>Coil</i>	

**ACCESSORI**  
ACCESSORIES



**Connettore DIN43650:** Cod.02920 Forma A PG9  
*Connector DIN43650:* Cod.02920 Form A Pg9



**Portagomma:** Cod.03260 -1/4" G. Ø6 -  
*Hose holder:* Cod.03260 -1/4" G. Ø6 -  
Cod.03265 -1/4" G. Ø6 90° -  
Cod.03265 -1/4" G. Ø6 90° -



**Filtro in ingresso:** Cod.03212 - 1/4" Inox -  
*Filter on inlet:*



**Staffa di fissaggio:** Cod.03420  
*Mounting bracket:*

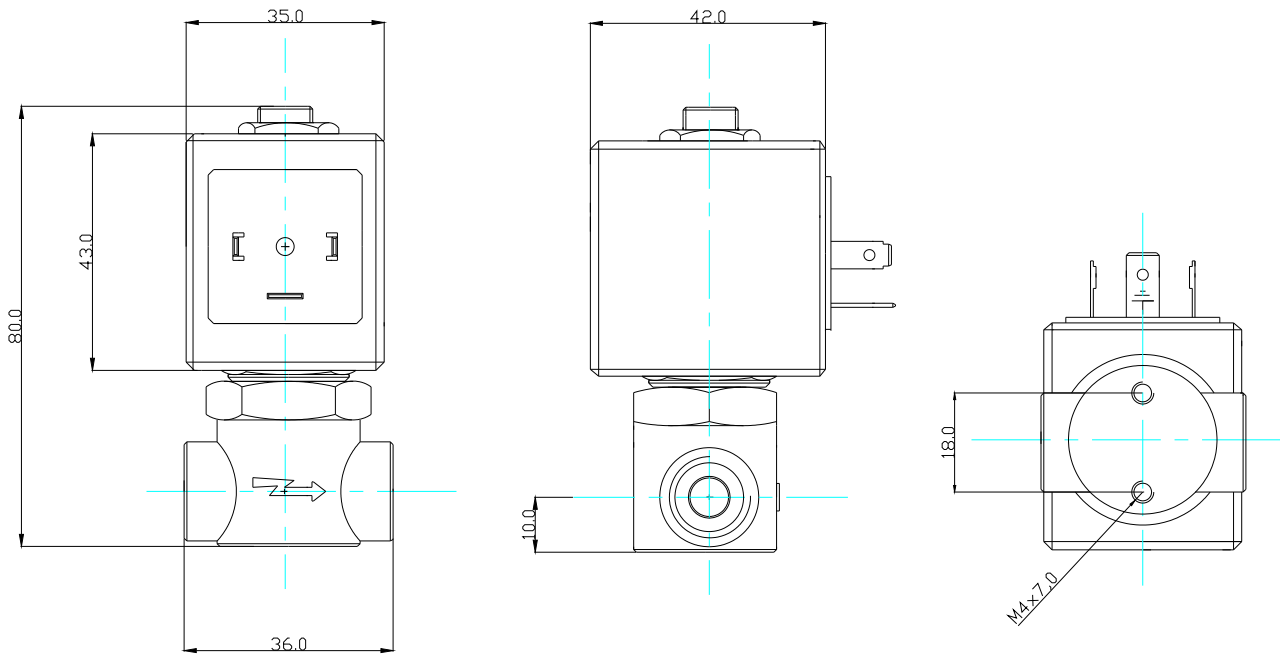
**OPZIONI**  
OPTIONAL

**Nichelatura chimica**  
*Chemical nickel*

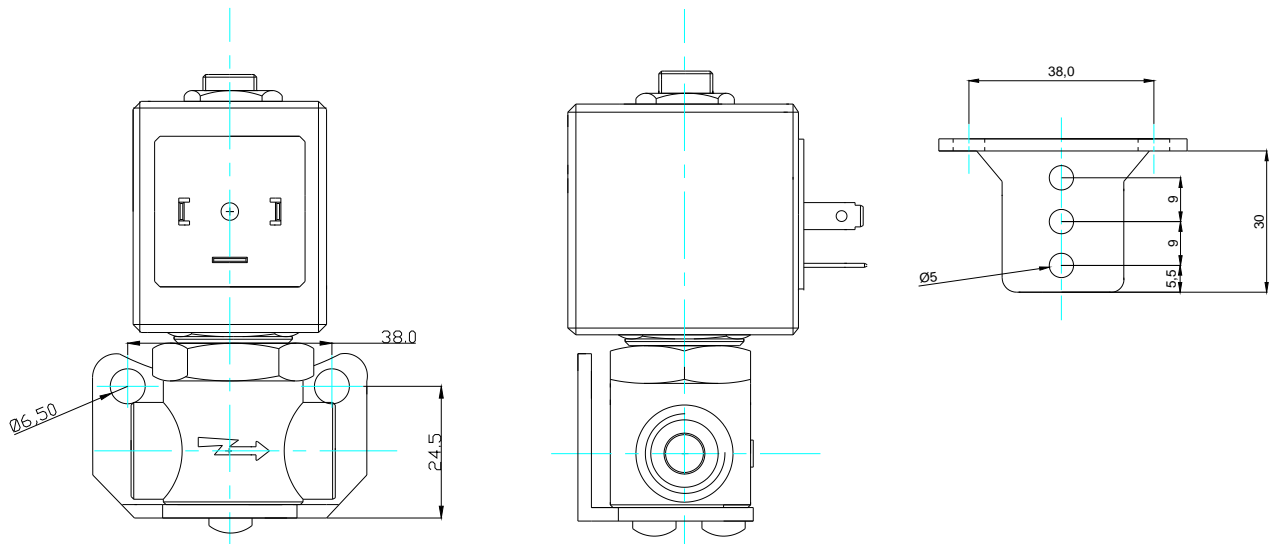
**Cromatura**  
*Chromium platin*

**Teflonatura tubo guida e nucleo mobile**  
*PTFE Treatment on tube guide, plunger*

**DIMENSIONI**  
*MEASURES*



**STAFFA DI FISSAGGIO**  
*MOUNTING BREAKET*



**BOBINE  
COILS**

APPROVAL



**COPERTURA NYLON  
ENCAPSULATION NYLON**

**COPERTURA RYTON  
ENCAPSULATION RYTON**

	AC	
	Code	
Per Ø dal mm 1 al 3 For Ø from mm 1 to 3	<b>1580</b>	24 /50Hz 18VA
	<b>1615</b>	110V/50Hz 18VA
	<b>1650</b>	220-230V/50Hz 22-25VA
	<b>1658</b>	230V/50Hz 22VA
Per Ø dal mm 3 al 4,5 For Ø from mm 3 to 4,5	<b>1630</b>	240V/50 22VA
	<b>1591</b>	24V/50-60Hz 32-25VA
	<b>1625</b>	110V/50-60Hz 32-25VA
	<b>1640</b>	220V/50-60Hz 32-25VA
Per Ø mm 5,5 For Ø mm 5,5	<b>1646</b>	230/50-60Hz 32-25VA
	<b>1638</b>	240V/50-60Hz 32-25VA
	<b>1590</b>	24V/50-60Hz 36-28VA
	<b>1660</b>	220V/50-60Hz 36-28VA

	AC	
	Code	
Per Ø dal mm 1 al 3 For Ø from mm 1 to 3	<b>1585</b>	24 /50Hz 18VA
	<b>1627</b>	110V/50Hz 18VA
	<b>1650R</b>	220-230V/50Hz 22-25VA
	<b>1658R</b>	230-240V/50Hz 22VA
Per Ø dal mm 3 al 4,5 For Ø from mm 3 to 4,5	<b>1595</b>	24V/50-60Hz 32-25VA
	<b>1627</b>	110V/50-60Hz 32-25VA
	<b>1645</b>	220V/50-60Hz 32-25VA
	<b>1656R</b>	230/50-60Hz 32-25VA
Per Ø mm 5,5 For Ø mm 5,5	<b>1595</b>	24V/50-60Hz 36-28VA
	<b>1665</b>	220V/50-60Hz 36-28VA

DC	
<b>1560</b>	12V DC 12W
<b>1570</b>	24V DC 12W
<b>1575</b>	24V DC 17W
<b>1577</b>	24V DC 27W

DC	
<b>1564</b>	12V DC 12W
<b>1571</b>	24V DC 12W
<b>1578</b>	24V DC 27W

**CODE ORDER:**

