

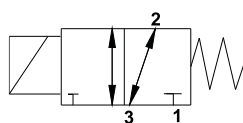
ELETTROVALVOLA 3/2 UNIVERSALE
3/2 UNIVERSAL SOLENOID VALVE



- **Elettrovalvola azione diretta**
Direct action solenoid valve
- **Connessione 1/4" G.**
Connection 1/4" G.
- **Temperatura fino a 150°**
Temperature up to 150°C
- **Fluidi e gas -Aria acqua-**
For fluid and gases -Air water -

Non è richiesta una pressione minima di funzionamento.
It's not necessary a minimum working pressure.

Tenuta O-ring tra corpo e canotto, saldatura a 360° del tubo guida, garantiscono affidabilità e durata nel tempo.
O-ring seal between body and guide tube, 360° welding of the tube guid, guarantee endurance and reliability.



3/2 Universale
3/2 Universal

COMPONENTI
COMPONENT PARTS

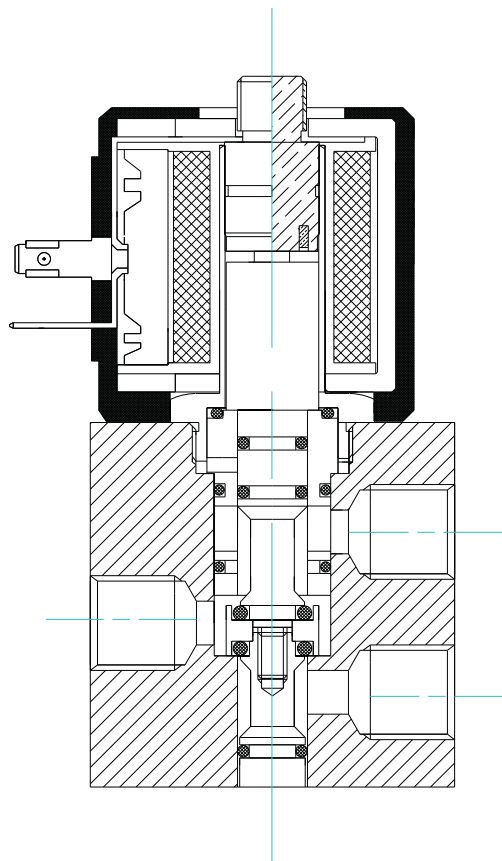
Corpo: <i>Body:</i>	Acciaio Inox AISI 316 <i>Stainless steel AISI 316</i>
Sede: <i>Orifice:</i>	Acciaio Inox AISI 316 <i>Stainless steel AISI 316</i>
Tubo guida: <i>Guide tube:</i>	Acciaio Inox <i>Stainless steel</i>
Nucleo Mobile: <i>Plunger:</i>	Acciaio Inox IMRE <i>Stainless steel IMRE</i>
Spola: <i>Spool:</i>	Acciaio Inox AISI 316 <i>Stainless steel AISI 316</i>
Molle: <i>Spring:</i>	Acciaio Inox <i>Stainless steel</i>
Protezione: <i>Insulation:</i>	IP 65 con connettore <i>IP 65 with connector</i>
Connessione: <i>Connection:</i>	DIN 43650/A <i>DIN 43650/A</i>
Bobina: <i>Coil:</i>	SM5-SM2/04 <i>SM5-SM2/04</i>
Materiale bobina: <i>Coil material:</i>	NYLON-RYTON-IXEF <i>NYLON-RYTON-IXEF</i>
Protezione bobina classe: <i>Coil insulation class:</i>	H <i>H</i>
Tenute: <i>Seal:</i>	NBR-FKM
Temperatura: <i>Temperature:</i>	NBR -20°C +90°C FKM -10°C +155°C

CARATTERISTICHE:
DETAIL:

CODE	DN G.	Ø Int mm	kV M3/h	M.O.P.D. bar			T.a.	Power		Inrush		Seal			Weight gr	
				min	max			VA AC	W DC	VA AC	W DC	NBR	FKM			
					AC	DC										
9995*	1/4"	5,0	0.80	00	10	10	80°	22	10	30	12	•				400
9996*	1/4"	5,0	0.80	00	10	10	80°	22	10	30	12		•			400

Note:- In DC per temperature ambienti superiori a 50°C. le prestazioni possono diminuire. E' sconsigliata l'installazione con la bobina rivolta verso il basso.

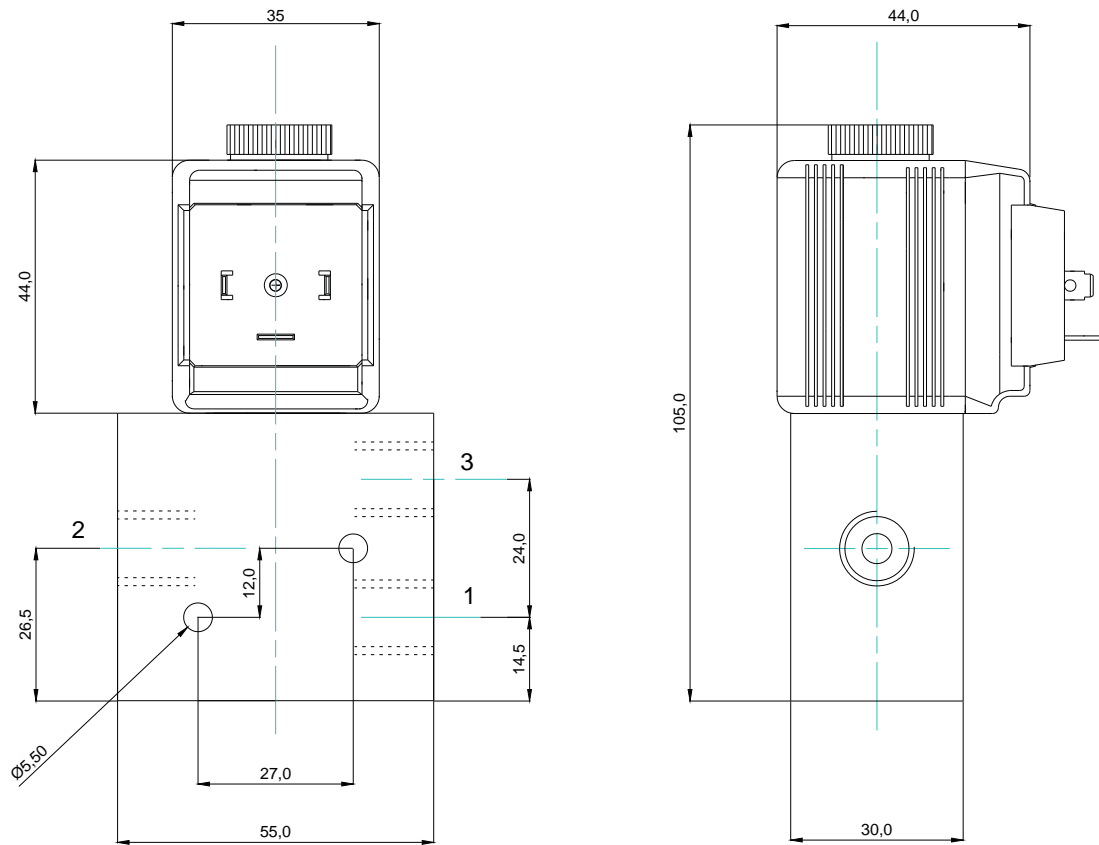
Note: - Performances can decrease in DC with room temperature over 50°C. Installation with turned down coil is not suggested.



RICAMBI
SPARE PARTS

Contattare il ns. ufficio tecnico

DIMENSIONI
MEASURES



ACCESSORI
ACCESSORIES



Connettore DIN43650: Cod.02920 Forma A Pg9
Connector DIN43650: Cod.02920 Form A Pg9



Filtro in ingresso: Cod.03212 - 1/4" Inox-
Filter on inlet:

OPZIONI
OPTIONAL

**BOBINE
COILS**

APPROVAL



**COPERTURA NYLON
ENCAPSULATION NYLON**

**COPERTURA RYTON
ENCAPSULATION RYTON**

AC

AC

	Code	
	1580	24 /50Hz 18VA
	1615	110V/50Hz 18VA
<i>Per Ø dal mm 1 al 3 For Ø from mm 1 to 3</i>	1650	220-230V/50Hz 22-25VA
	1658	230V/50Hz 22VA
	1630	240V/50 22VA
	1591	24V/50-60Hz 32-25VA
	1625	110V/50-60Hz 32-25VA
<i>Per Ø dal mm 3 al 4,5 For Ø from mm 3 to 4,5</i>	1640	220V/50-60Hz 32-25VA
	1646	230/50-60Hz 32-25VA
	1638	240V/50-60Hz 32-25VA
	1590	24V/50-60Hz 36-28VA
<i>Per Ø mm 5,5 For Ø mm 5,5</i>	1660	220V/50-60Hz 36-28VA

	Code	
	1585	24 /50Hz 18VA
	1627	110V/50Hz 18VA
<i>Per Ø dal mm 1 al 3 For Ø from mm 1 to 3</i>	1650R	220-230V/50Hz 22-25VA
	1658R	230-240V/50Hz 22VA
	1595	24V/50-60Hz 32-25VA
	1627	110V/50-60Hz 32-25VA
<i>Per Ø dal mm 3 al 4,5 For Ø from mm 3 to 4,5</i>	1645	220V/50-60Hz 32-25VA
	1656R	230/50-60Hz 32-25VA
	1595	24V/50-60Hz 36-28VA
<i>Per Ø mm 5,5 For Ø mm 5,5</i>	1665	220V/50-60Hz 36-28VA

DC

DC

1560	12V DC 12W
1570	24V DC 12W
1575	24V DC 17W
1577	24V DC 27W

1564	12V DC 12W
1571	24V DC 12W
1578	24V DC 27W

CODE ORDER:

