

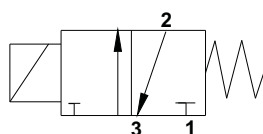
ELETTROVALVOLA 3/2 NORMALMENTE CHIUSA
3/2 NORMALLY CLOSED SOLENOID VALVE



- **Elettrovalvola azione diretta**
Direct action solenoid valve
- **Connessione 1/8" 1/4"G.**
Connection 1/8 - 1/4"G.
- **Temperatura fino a 180°**
Temperature up to 180°C
- **Fluidi e gas -Aria acqua vapore-**
For fluid and gases -Air water steam-

Non è richiesta una pressione minima di funzionamento.
It's not necessary a minimum working pressure.

Tenuta O-ring tra corpo e canotto, saldatura a 360° del tubo guida, garantiscono affidabilità e durata nel tempo.
O-ring seal between body and guide tube, 360° welding of the tube guid, guarantee endurance and reliability.



3/2 Normalmente chiusa
3/2 Normally closed with

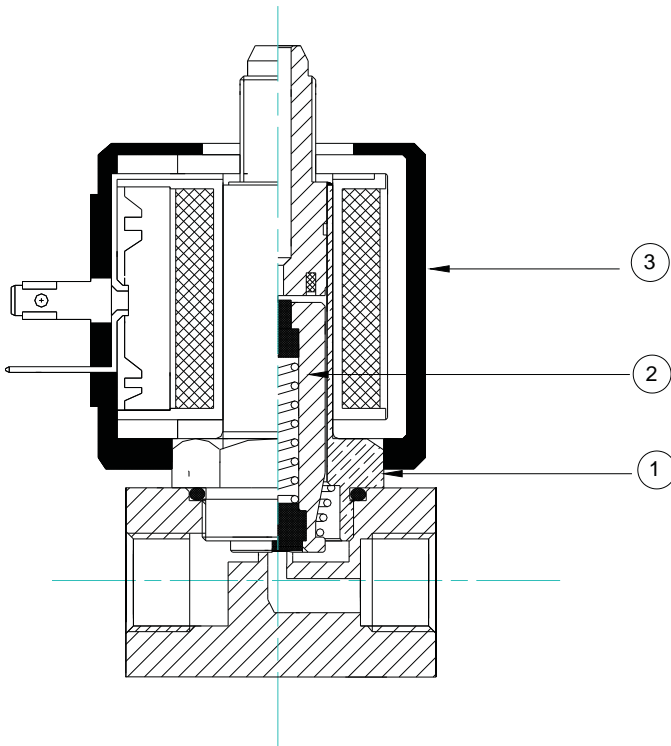
COMPONENTI
COMPONENT PARTS

Corpo: <i>Body:</i>	Acciaio Inox AISI 316 <i>Stainless steel AISI 316</i>
Sede: <i>Orifice:</i>	Acciaio Inox AISI 316 <i>Stainless steel AISI 316</i>
Tubo guida: <i>Guide tube:</i>	Acciaio Inox <i>Stainless steel</i>
Nucleo Mobile: <i>Plunger:</i>	Acciaio Inox IMRE <i>Stainless steel IMRE</i>
Molle: <i>Spring:</i>	Acciaio Inox <i>Stainless steel</i>
Protezione: <i>Insulation:</i>	IP 65 con connettore <i>IP 65 with connector</i>
Connessione: <i>Connection:</i>	DIN 43650/A <i>DIN 43650/A</i>
Bobina: <i>Coil:</i>	SM5-SM2/04 <i>SM5-SM2/04</i>
Materiale bobina: <i>Coil material:</i>	NYLON-RYTON-IXEF <i>NYLON-RYTON-IXEF</i>
Protezione bobina classe: <i>Coil insulation class:</i>	H <i>H</i>
Tenute: <i>Seal:</i>	NBR-FKM-RUBINO
Temperatura: <i>Temperature:</i>	EPDM -20°C +140°C FKM -10°C +155°C PTFE -30°C +180°C RUBINO -40°C+180°C

CARATTERISTICHE:
DETAIL:

CODE	DN G.	Ø Int mm	kV M3/h	M.O.P.D. bar			T.a.	Power		Inrush		Seal				Weight gr
				min	max			VA AC	W DC	VA AC	W DC.	NBR	FKM	RUBINO		
					AC	DC										
9815*	1/8"	1,5	0.07	00	15	15	80°	22	12	30	23	•				400
9816*	1/8"	1,5	0.07	00	15	15	80°	22	12	30	23		•			400
9817*	1/8"	1,5	0.07	00	15	15	80°	22	12	30	23			•		400
9820*	1/4"	2,5	0.12	00	10	10	80°	22	12	30	23	•				400
9821*	1/4"	2,5	0.12	00	10	10	80°	22	12	30	23		•			400
9822*	1/4"	2,5	0.12	00	10	10	80°	22	12	30	23			•		400
9840*	1/8"	4,0	0.38	00	4	4	80°	22	12	30	23	•				400

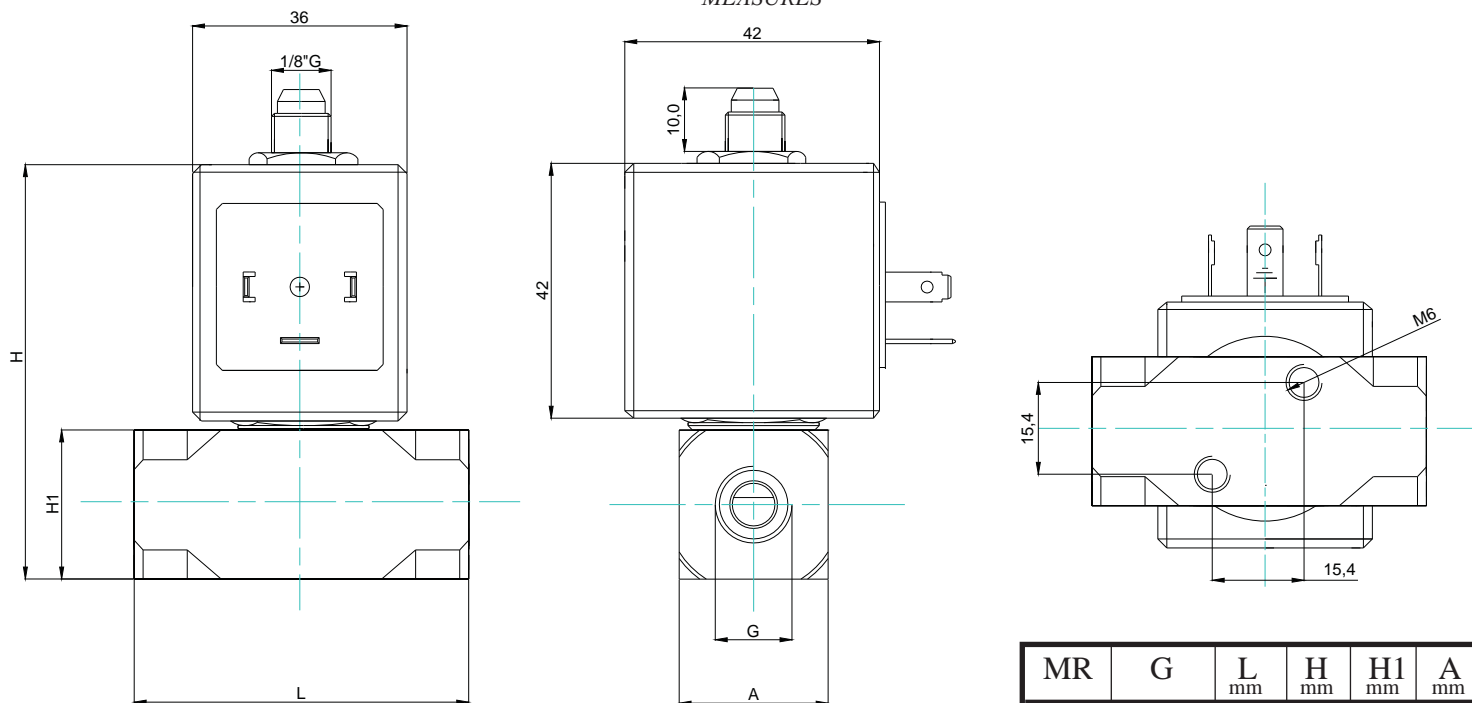
Note:- In DC per temperature ambienti superiori a 50°C. le prestazioni possono diminuire. E' sconsigliata l'installazione con la bobina rivolta verso il basso.
Note: - Performances can decrease in DC with room temperature over 50°C. Installation with turned down coil is not suggested.



RICAMBI
SPARE PARTS

- 1-Tubo guida:** Cod.00170
Guide tube: Cod.00170*30 AISI316
- 2-Nucleo mobile**
Plunger
- 3-Bobina**
Coil

**DIMENSIONI
MEASURES**



MR	G	L mm	H mm	H1 mm	A mm
32-33	1/8-1/4"	41	75	25	25
34	3/8"	46,5	75	25	25
35	1/2"	50,5	75	25	25
35/S	1/2"	60	90	30	30

**ACCESSORI
ACCESSORIES**



Connettore DIN43650: Cod.02920 Forma A Pg9
Connector DIN43650: Cod.02920 Form A Pg9

**OPZIONI
OPTIONAL**

Teflonatura tubo guida e nucleo mobile
PTFE Treatment on tube guide, plunger

BOBINE
COILS

APPROVAL



COPERTURA NYLON
ENCAPSULATION NYLON

COPERTURA RYTON
ENCAPSULATION RYTON

AC

AC

	Code	
	1580	24 /50Hz 18VA
	1615	110V/50Hz 18VA
Per Ø dal mm 1 al 3 <i>For Ø from mm 1 to 3</i>	1650	220-230V/50Hz 22-25VA
	1658	230V/50Hz 22VA
	1630	240V/50 22VA
	1591	24V/50-60Hz 32-25VA
	1625	110V/50-60Hz 32-25VA
Per Ø dal mm 3 al 4,5 <i>For Ø from mm 3 to 4,5</i>	1640	220V/50-60Hz 32-25VA
	1646	230/50-60Hz 32-25VA
	1638	240V/50-60Hz 32-25VA
	1590	24V/50-60Hz 36-28VA
Per Ø mm 5,5 <i>For Ø mm 5,5</i>	1660	220V/50-60Hz 36-28VA

	Code	
	1585	24 /50Hz 18VA
	1627	110V/50Hz 18VA
Per Ø dal mm 1 al 3 <i>For Ø from mm 1 to 3</i>	1650R	220-230V/50Hz 22-25VA
	1658R	230-240V/50Hz 22VA
	1595	24V/50-60Hz 32-25VA
	1627	110V/50-60Hz 32-25VA
Per Ø dal mm 3 al 4,5 <i>For Ø from mm 3 to 4,5</i>	1645	220V/50-60Hz 32-25VA
	1656R	230/50-60Hz 32-25VA
	1595	24V/50-60Hz 36-28VA
Per Ø mm 5,5 <i>For Ø mm 5,5</i>	1665	220V/50-60Hz 36-28VA

DC

DC

1560	12V DC 12W
1570	24V DC 12W
1575	24V DC 17W
1577	24V DC 27W

1564	12V DC 12W
1571	24V DC 12W
1578	24V DC 27W

CODE ORDER:

